



## “MP” Gantry Crane



### Features :

- User friendly
- Reliable and Durable
- Moveable by using special swivel casters
- Can be used in various fields and applications

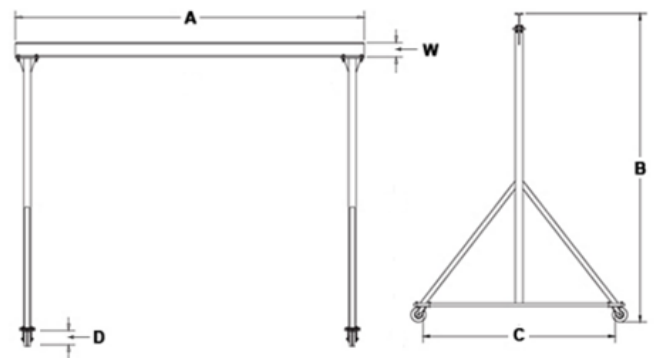
1

### For safety reasons, during operation:

- No one is allowed to stand under the gantry crane
- Cannot lift items that is over SWL

### Standard Dimensions:

Item	A	B	C	D	W
Capacity	Span	Overall Height	Tread	Caster Dia.	I-Beam Depth
Tons	m	m	m	Inch	M
1	1.5	1.5	1.3	5	20
	2.0	1.5	1.3	5	20
	2.5	2.0	1.3	5	20
	3.0	2.0	1.3	5	20
	3.5	2.5	1.3	5	20
2	2.5	2.5	1.3	5	22
	3.0	2.5	1.3	5	22
	3.5	2.5	1.3	5	22
	3.5	3.0	1.3	5	22
	4.0	3.0	1.3	5	22
3	2.5	2.5	1.4	8	25
	3.0	2.5	1.4	8	25
	3.5	2.5	1.4	8	25
	3.5	3.0	1.4	8	25
	4.0	3.0	1.4	8	25
5	3.0	2.5	1.4	8	30
	3.5	2.5	1.4	8	30
	3.5	3.0	1.4	8	30
	4.0	3.0	1.4	8	30
	4.5	3.0	1.4	8	30



Gantry Crane Diagram



**For tailor-made gantry crane,  
please provide dimensions of Span (A) & Overall Height (B).  
If you have any requirement about (C) & (D) or others, please specify.**