



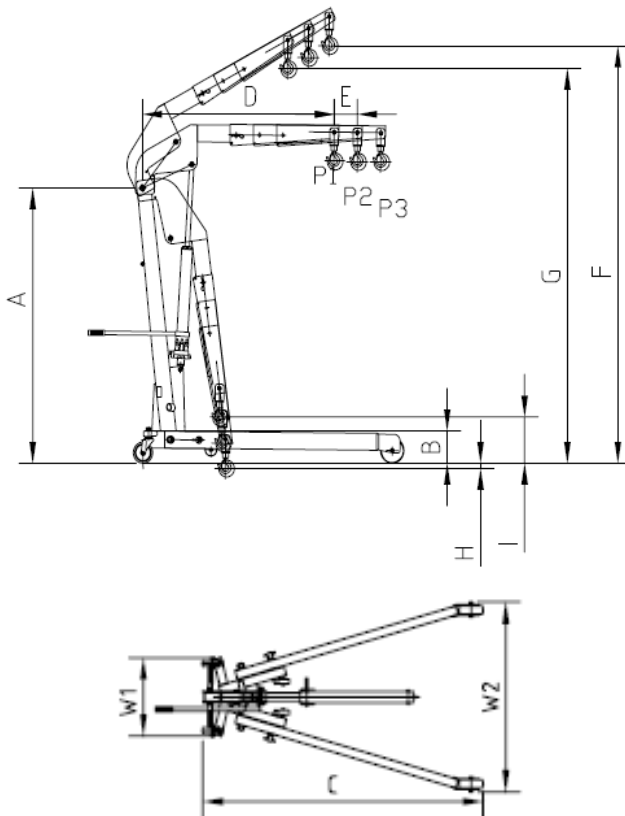
## “MP” Engine Crane

**Features :**

- Larger capacity than normal shop cranes at 3 position.
- Chrome plated lifting piston-rod and pump piston-rod.
- Relief valve to prevent overload.
- Forged heavy duty swivel hook.
- 25% overload testing before delivery.

6

Model		SDJ-05	SDJ-10	SDJ-20
Rated lifting capacity P1/P2/P3	kg	500/425/350	1000/800/700	2000/1700/1500
Net Weight	kg	75	115	165
Gross Weight	kg	77	117	167
Packing Size	cm	156x50x65	174x50x65	196x63x68



Dimensions	A	B	C	D	E	F	G	H	I	W1	W2
	mm	mm	mm	mm	mm	mm	mm	mm	mm	mm	mm
SDJ-05	1354	165	1582	897	102	2080	1920	1300	330	470	960
SDJ-10	1597	90	1749	1231	150	2450	2320	-	280	460	1100
SDJ-20	1626	208	1911	1293	150	2700	2500	-	250	590	1170