



Check Valves

INTRODUCTION

One-way valve for in-line use.

Suitable for any type of hydraulic system using liquids that are not highly viscous. The standard types are in Trivalent plated carbon steel and are therefore especially suitable for non-corrosive mineral based oils and liquids.

FEATURES

Standard types:

H Good pressure / flow characteristics, see graphs.

H Valve body in Trivalent plated carbon steel.

H Piston in carbon steel.

H Internal spring in silicon steel - stabilized.

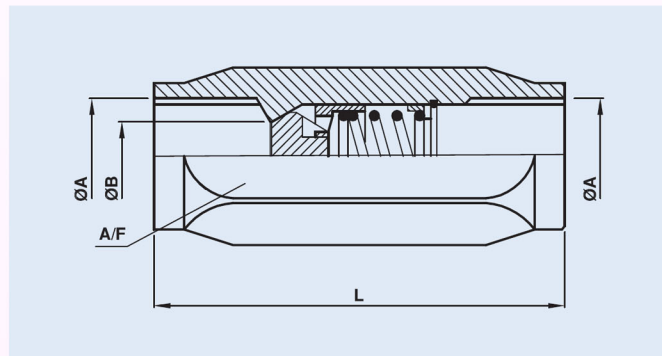
H Cracking points 0.35 bar and 4.5 bar are standard, other values on request.



ALTERNATIVE USES

As a pressure sequence valve by changing the internal spring to an appropriate 'cracking point' value.

For flow restrictor check valves a central bleed hole can be provided, sized to customer requirements.



Body Size	Code	Maximum working pressure (bar)	ØA*	ØB	AF	L	Weight kg
04	CV04	400	1/4"	7	19	50	0.09
06	CV06	400	3/8"	10	24	60	0.16
12	CV12	350	1/2"	11	27	65	0.28
19	CV19	350	3/4"	17	34	75	0.35
25	CV25	350	1"	21	41	93	0.58
32	CV32	250	1¼"	29	50	110	0.96
40	CV40	250	1½"	34	55	112	1.02
50	CV50	250	2"				