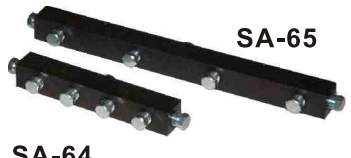
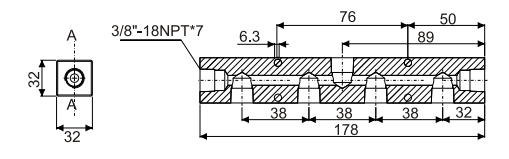
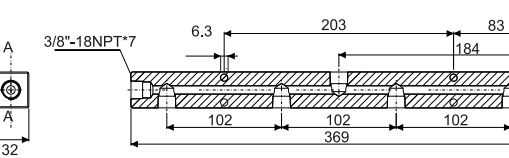

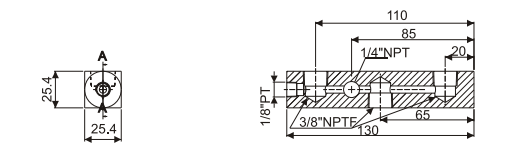

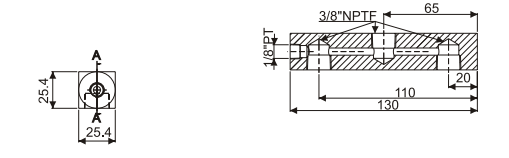

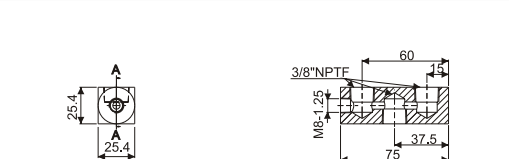

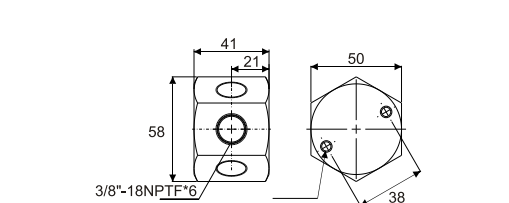

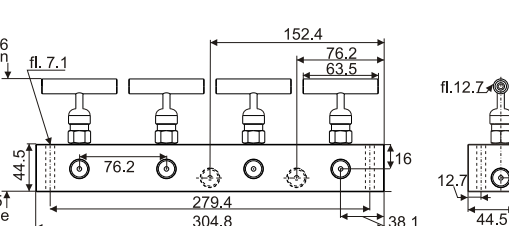
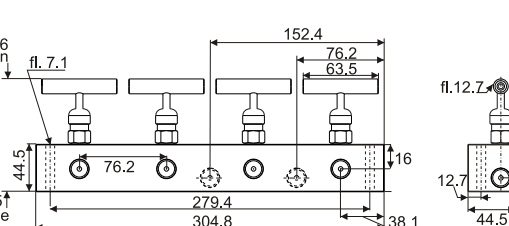

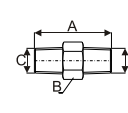

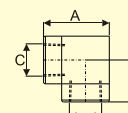

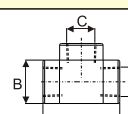

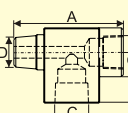

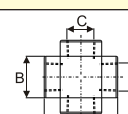

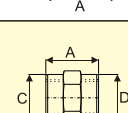
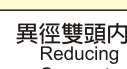
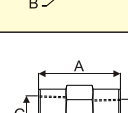

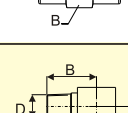

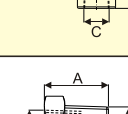

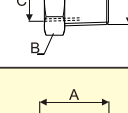

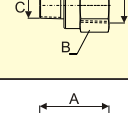


SA Series 最大使用壓力
Maximum Operating Pressure
700 bar

型號 Model Number	規範 Description	尺寸 Dimensions (mm)			
		A	B	C	D
 <p>SA-64 SA-65</p>	178mm長六通閥配7個母接頭口 178mm Long Manifold with 7 female ports.				
	369mm長六通閥配7個母接頭口 369mm Long Manifold with 7 female ports				
 <p>SA-25G</p>	130mm長二通閥 3/8"-18NPTF螺孔: 3 1/8"PT螺孔: 1 1/4"NPT螺孔: 1 130mm Long Manifold 3/8"-18NPTF Female port: 3 1/8"PT Female port: 1 1/4"NPT Female port: 1				
 <p>SA-25</p>	130mm長二通閥 3/8"-18NPTF螺孔: 3 1/8"PT螺孔: 1 130mm Long Manifold 3/8"-18NPTF Female port: 3 1/8"PT Female port: 1				
 <p>SA-23</p>	75mm長二通閥 3/8"-18NPTF螺孔: 3 M8-1.25螺孔: 1 75mm Long Manifold 3/8"-18NPTF Female port: 3 M8-1.25 Female port: 1				
 <p>SA-66</p>	六角六孔分配器所有通口控塞為3/8"-18NPTF 6-Port Hexagon Manifold Plugs furnished for all ports 3/8"-18NPTF				
 <p>ASM-2</p>	ASM-2 手控雙分流閥 2 control bars 其功能為分流閥，可同步控制2~4個單動油壓缸，所有通孔控塞為3/8"-18NPTF				
	ASM-4 手控四分流閥 4 control bars Functions as split-flow valve to control 2~4 single-acting cylinders simultaneously. All ports 3/8"-18NPTF				

SFZ Series 最大使用壓力
Maximum Operating Pressure
700 bar

Model No. 型號	Description 規範		Diagram	尺寸 Dimension(mm)				
	From	To		A	B	C	D	
 <p>六角立布 Hex Nipple</p>	SFZ-1608	1/4"-NPTF Male 公	1/4"-NPTF Male 公		38	16	1/4"-18NPTF	1/4"-18NPTF
	SFZ-1617	3/8"-NPTF Male 公	3/8"-NPTF Male 公		37	19	3/8"-18NPTF	3/8"-18NPTF
	SFZ-1618	1/4"-NPTF Male 公	3/8"-NPTF Male 公		37	19	1/4"-18NPTF	3/8"-18NPTF
	SFZ-1619	3/8"-NPTF Male 公	3/8"-NPTF Male 公		51	19	3/8"-18NPTF	3/8"-18NPTF
 <p>彎頭 Elbow</p>	SFZ-1610	3/8"-NPTF Female 母	3/8"-NPTF Female 母		35	22.5	3/8"-18NPTF	—
	SFZ-1638	1/4"-NPTF Female 母	1/4"-NPTF Female 母		35	22.5	1/4"-18NPTF	—
 <p>T型接頭 T connector</p>	SFZ-1612	3/8"-NPTF Female 母	3/8"-NPTF Female 母		45	25	3/8"-18NPTF	—
	SFZ-1637	1/4"-NPTF Female 母	1/4"-NPTF Female 母		45	25	1/4"-18NPTF	—
 <p>T型接頭 Street Tee</p>	SFZB-16312	3/8"-NPTF Female 母	3/8"-NPTF Male 公		56	26	3/8"-18NPTF	3/8"-18NPTF
 <p>十字接頭 Cross</p>	SFZ-1613	3/8"-NPTF Female 母	3/8"-NPTF Female 母		45	25	3/8"-18NPTF	—
 <p>雙頭內牙 Coupling</p>	SFZ-1614	3/8"-NPTF Female 母	3/8"-NPTF Female 母		29	26	3/8"-18NPTF	3/8"-18NPTF
	SFZ-1605	1/4"-NPTF Female 母	1/4"-NPTF Female 母		29	19	1/4"-18NPTF	1/4"-18NPTF
 <p>異徑雙頭內牙 Reducing Connector</p>	SFZ-1615	3/8"-NPTF Female 母	1/4"-NPTF Female 母		28	25	3/8"-18NPTF	1/4"-18NPTF
	SFZ-1625	1/2"-NPTF Female 母	3/8"-NPTF Female 母		47	29	1/2"-14NPTF	3/8"-18NPTF
 <p>內外牙彎頭 Street Elbow</p>	SFZ-1616	3/8"-NPTF Male 公	3/8"-NPTF Female 母		23	33	3/8"-18NPTF	3/8"-18NPTF
 <p>卜申 Bushing</p>	SFZ-1630	1/4"-NPTF Female 母	3/8"-NPTF Male 公		19	19	1/4"-18NPTF	3/8"-18NPTF
	SFZB-1630	1/4"-NPTF Female 母	1/2"-NPTF Male 公		28	22	1/4"-18NPTF	1/2"-14NPTF
	SFZB-16301	G1/4" Female 母	3/8"-NPTF Male 公		19	19	G1/4"	3/8"-18NPTF
 <p>錶接頭 Adaptor</p>	SFZB-16411	1/4"-18NPTF Male 公	G1/4" Female 母		35	19	1/4"-18NPTF	G1/4"
	SFZB-16421	1/8"-27NPTF Male 公	G1/4" Female 母		31	19	1/8"-27NPTF	G1/4"
	SFZB-16323	1/4"-18NPTF Male 公	G3/8" Female 母		43	24	1/4"-18NPTF	G3/8"
	SFZB-16324	3/8"-18NPTF Male 公	G3/8" Female 母		43	24	3/8"-18NPTF	G3/8"
 <p>錶接頭 Adaptor</p>	SFZ-1055	1/4"-18NPTF Male 公	3/8"-18NPTF Female 母		44	23	1/4"-18NPTF	3/8"-18NPTF
	SFZ-1633	1/4"-18NPTF Male 公	1/2"-14NPTF Female 母		43	29	1/4"-18NPTF	1/2"-14NPTF
	SFZ-1634	3/8"-18NPTF Male 公	1/2"-14NPTF Female 母		43	29	3/8"-18NPTF	1/2"-14NPTF
	SFZ-1642	1/8"-27NPTF Male 公	1/4"-18NPTF Female 母		30	19	1/8"-27NPTF	1/4"-18NPTF