

**SINGLE ACTING LOCK NUT CYLINDERS,
LOAD RETURN****LARZEP advantages**

- Capacity from 30 to 1.100 Tn, stroke up to 300 mm.
- The lock nut holds the load mechanically for extended periods of time.
- Load return. Lock nut tested under 50% overload.
- Hydraulic end of stroke overflow port. Red band warning. Mechanical end of stroke available as special.
- Used for foundation supporting, bridge construction and shipbuilding.

Carefully read and understand the safety instructions.



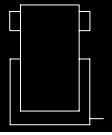
For confined spaces,
use STX models.

Page.

46



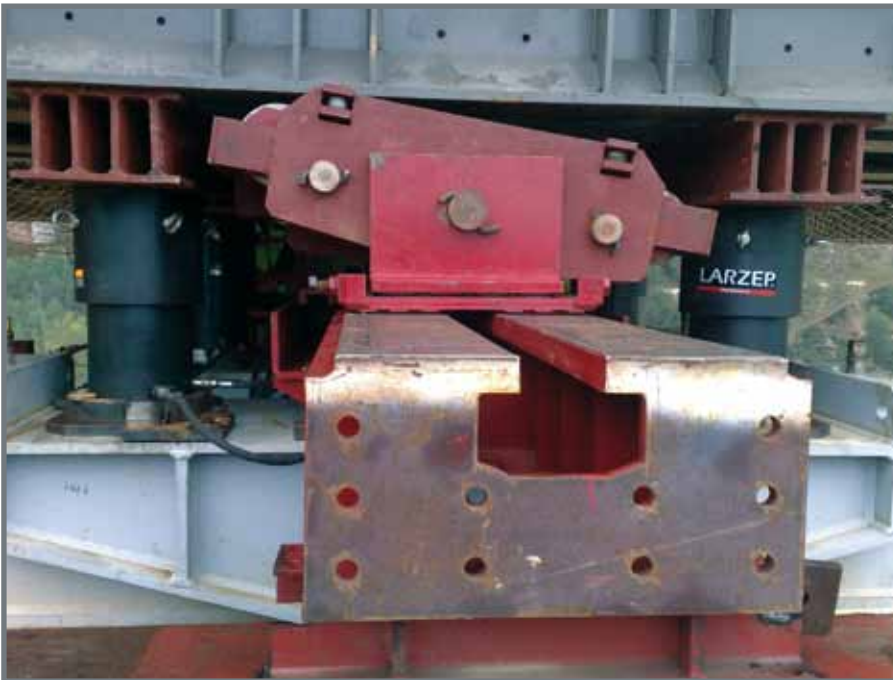
S/A LOCK NUT CYLINDERS



STR

30-1.100 Tn.

700 bar



DTC models, double acting cylinders up to 2.000 Tn, low height with lock nut available upon request.



Powerpacks.
Page. 88



Aluminium Single Acting Spring Return Cylinders with Lock Nut and Stop Ring, SATM.
Page. 42



Aluminium Single Acting Cylinders with Lock Nut, SAT.
Page. 38



Aluminium Single Acting Spring Return Cylinders with Lock Nut and Stop Ring, SATM.

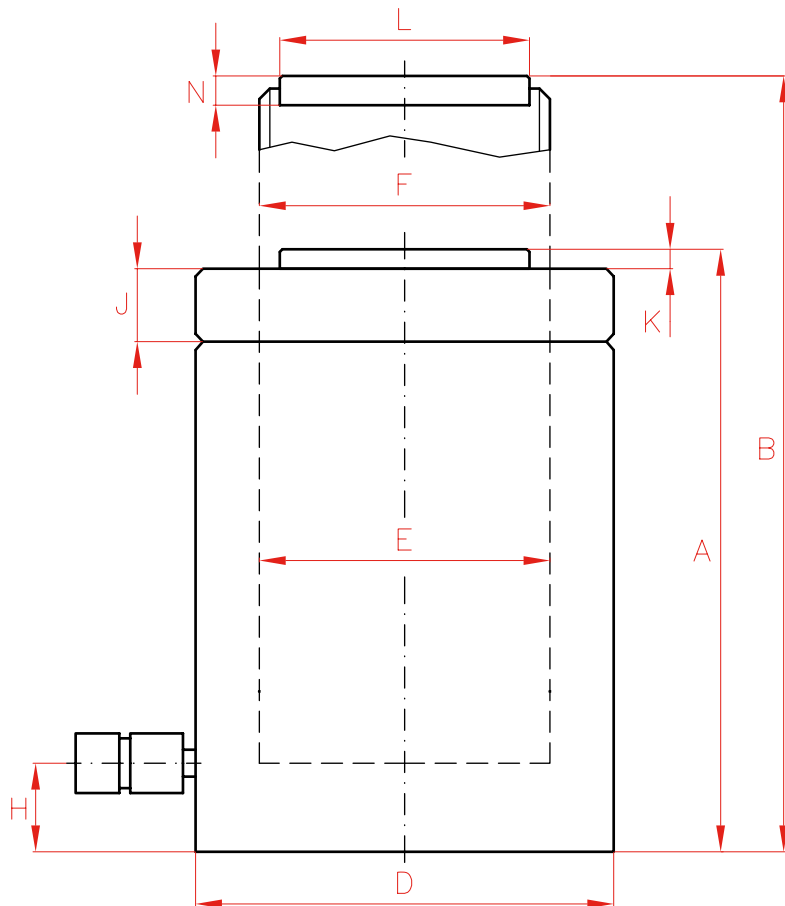
Page. 42



Single Acting Hand Pumps, W.

Page. 80

Carefully read and understand the safety instructions.



Capacity		Stroke	Model	Oil Cap.	A
Tn	kN	mm	LARZEP	cm ³	mm
30	303	50	STR03005	221	169
		100	STR03010	442	219
		150	STR03015	663	269
		200	STR03020	884	319
		300	STR03030	1.325	419
50	487	50	STR05005	355	155
		100	STR05010	709	205
		150	STR05015	1.062	260
		200	STR05020	1.418	310
		250	STR05025	1.772	365
		300	STR05030	2.127	415
100	911	50	STR10005	664	180
		100	STR10010	1.327	230
		150	STR10015	1.991	285
		200	STR10020	2.654	335
		250	STR10025	3.318	390
		300	STR10030	3.981	440
140	1.380	50	STR14005	1.005	201
		100	STR14010	2.011	251
		150	STR14015	3.016	311
		200	STR14020	4.021	361
		250	STR14025	5.026	421
		300	STR14030	6.032	471
220	2.156	50	STR22005	1.571	208
		100	STR22010	3.142	258
		150	STR22015	4.712	318
		200	STR22020	6.283	368
		250	STR22025	7.854	433
		300	STR22030	9.425	483
350	3.368	50	STR35005	2.545	238
		100	STR35010	4.909	288
		150	STR35015	7.363	348
		200	STR35020	9.817	398
		250	STR35025	12.272	458
		300	STR35030	14.726	508



Aluminium Single Acting Cylinders with Lock Nut, SAT.

Page. 38



Optional Tilting Saddle.

Page. 112

	B	D	E	F	H	J	K	L	N	Area	Weight	Model	With tilting saddle	
	mm	mm	mm	mm	mm	mm	mm	mm	mm	cm ²	kg	LARZEP	A	Model
	219	100	75	Tr 75x4	25	30	3	45	11	44	10,3	STR03005	194	AZ0401
	319	100	75	Tr 75x4	25	30	3	45	11	44	13,2	STR03010	244	AZ0401
	419	100	75	Tr 75x4	25	30	3	45	11	44	17,2	STR03015	294	AZ0401
	519	100	75	Tr 75x4	25	30	3	45	11	44	19,2	STR03020	344	AZ0401
	719	100	75	Tr 75x4	25	30	3	45	11	44	25,9	STR03030	444	AZ0401
	205	125	95	Tr 95x4	25	21	3	61	12	71	15	STR05005	182	AZ0402
	305	125	95	Tr 95x4	25	21	3	61	12	71	20	STR05010	232	AZ0402
	410	125	95	Tr 95x4	25	21	3	61	12	71	25	STR05015	287	AZ0402
	510	125	95	Tr 95x4	25	21	3	61	12	71	30	STR05020	337	AZ0402
	615	125	95	Tr 95x4	25	21	3	61	12	71	35	STR05025	392	AZ0402
	715	125	95	Tr 95x4	25	21	3	61	12	71	40	STR05030	442	AZ0402
	230	170	130	Tr 130x6	30	31	3	88	14	133	31	STR10005	213	AZ0404
	330	170	130	Tr 130x6	30	31	3	88	14	133	40	STR10010	263	AZ0404
	435	170	130	Tr 130x6	30	31	3	88	14	133	50	STR10015	318	AZ0404
	535	170	130	Tr 130x6	30	31	3	88	14	133	59	STR10020	368	AZ0404
	640	170	130	Tr 130x6	30	31	3	88	14	133	69	STR10025	423	AZ0404
	740	170	130	Tr 130x6	30	31	3	88	14	133	78	STR10030	473	AZ0404
	251	200	160	Tr 160x6	35	38	3	88	14	201	49	STR14005	234	AZ0404
	351	200	160	Tr 160x6	35	38	3	88	14	201	61	STR14010	284	AZ0404
	461	200	160	Tr 160x6	35	38	3	88	14	201	76	STR14015	344	AZ0404
	561	200	160	Tr 160x6	35	38	3	88	14	201	88	STR14020	394	AZ0404
	671	200	160	Tr 160x6	35	38	3	88	14	201	103	STR14025	454	AZ0404
	771	200	160	Tr 160x6	35	38	3	88	14	201	115	STR14030	504	AZ0404
	258	250	200	Tr 200x6	40	40	3	111	15	314	79	STR22005	245	AZ0405
	358	250	200	Tr 200x6	40	40	3	111	15	314	98	STR22010	295	AZ0405
	468	250	200	Tr 200x6	40	40	3	111	15	314	121	STR22015	355	AZ0405
	568	250	200	Tr 200x6	40	40	3	111	15	314	140	STR22020	405	AZ0405
	683	250	200	Tr 200x6	40	40	3	111	15	314	165	STR22025	470	AZ0405
	783	250	200	Tr 200x6	40	40	3	111	15	314	184	STR22030	520	AZ0405
	288	310	250	Tr 250x6	50	50	3	178	23	491	139	STR35005	282	AZ0408
	388	310	250	Tr 250x6	50	50	3	178	23	491	169	STR35010	332	AZ0408
	498	310	250	Tr 250x6	50	50	3	178	23	491	204	STR35015	392	AZ0408
	598	310	250	Tr 250x6	50	50	3	178	23	491	233	STR35020	442	AZ0408
	708	310	250	Tr 250x6	50	50	3	178	23	491	269	STR35025	502	AZ0408
	808	310	250	Tr 250x6	50	50	3	178	23	491	298	STR35030	552	AZ0408

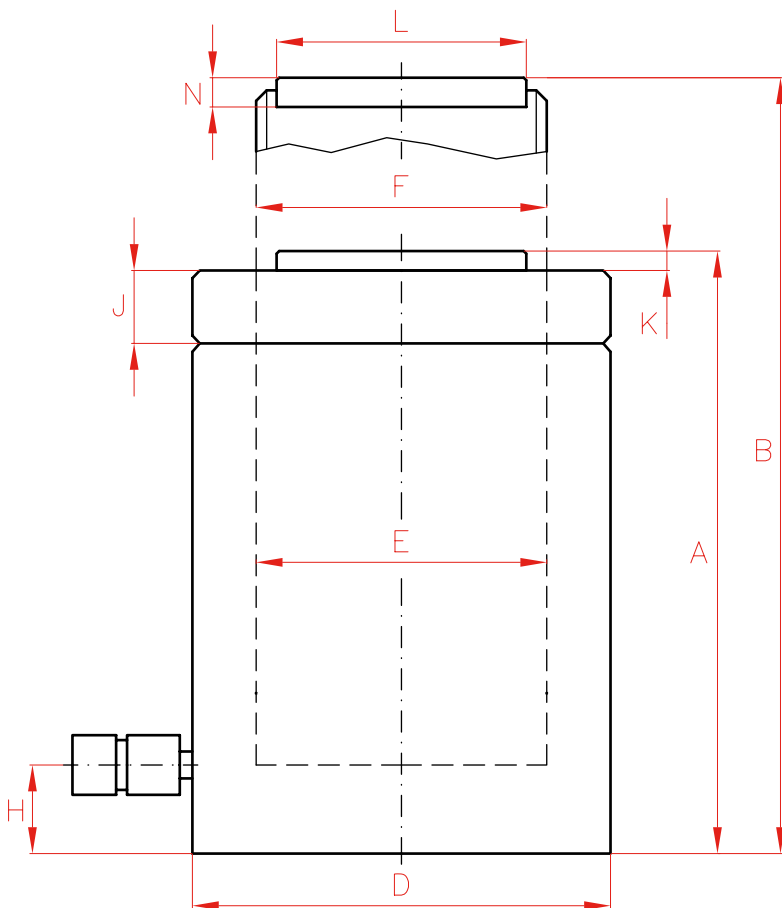
Carefully read and understand the safety instructions.



Coupler 3/8"-18 NPT included.
Page. 108



Pressure Gauges.
Page. 116



Capacity		Stroke	Model	Oil Cap.	A
Tn	kN	mm	LARZEP	cm ³	mm
430	4.224	50	STR43005	3.079	250
		100	STR43010	6.158	300
		150	STR43015	9.236	365
		200	STR43020	12.315	415
		250	STR43025	15.394	480
		300	STR43030	18.473	530
560	5.517	50	STR56005	4.021	280
		100	STR56010	8.042	330
		150	STR56015	12.064	395
		200	STR56020	16.085	445
		250	STR56025	20.106	510
		300	STR56030	24.127	560
670	6.600	50	STR67005	4.811	305
		100	STR67010	9.621	355
		150	STR67015	14.432	420
		200	STR67020	19.242	470
		250	STR67025	24.053	535
		300	STR67030	28.863	585
880	8.620	50	STR88005	6.283	325
		100	STR88010	12.566	375
		150	STR88015	18.849	440
		200	STR88020	25.133	490
		250	STR88025	31.416	555
		300	STR88030	37.699	605
1.100	10.905	50	STR110005	7.952	340
		100	STR110010	15.904	420
		150	STR110015	23.856	485
		200	STR110020	31.808	535
		250	STR110025	39.760	600
		300	STR110030	47.713	650



Powerpacks.

Page. 88



Hoses.

Page. 106



Optional Tilting Saddle.

Page. 112

	B	D	E	F	H	J	K	L	N	Area	Weight	Model	With tilting saddle	
	mm	mm	mm	mm	mm	mm	mm	mm	mm	cm ²	kg	LARZEP	A	Model
	300	340	280	Tr 280x6	55	55	5	178	23	616	175	STR43005	294	AZ0408
	400	340	280	Tr 280x6	55	55	5	178	23	616	210	STR43010	344	AZ0408
	515	340	280	Tr 280x6	55	55	5	178	23	616	258	STR43015	409	AZ0408
	615	340	280	Tr 280x6	55	55	5	178	23	616	292	STR43020	459	AZ0408
	730	340	280	Tr 280x6	55	55	5	178	23	616	338	STR43025	524	AZ0408
	830	340	280	Tr 280x6	55	55	5	178	23	616	373	STR43030	574	AZ0408
	330	390	320	Tr 320x6	65	60	5	200	27	804	263	STR56005	332	AZ0411
	430	390	320	Tr 320x6	65	60	5	200	27	804	310	STR56010	382	AZ0411
	545	390	320	Tr 320x6	65	60	5	200	27	804	370	STR56015	447	AZ0411
	645	390	320	Tr 320x6	65	60	5	200	27	804	417	STR56020	497	AZ0411
	760	390	320	Tr 320x6	65	60	5	200	27	804	478	STR56025	562	AZ0411
	860	390	320	Tr 320x6	65	60	5	200	27	804	524	STR56030	612	AZ0411
	355	430	350	Tr 350x6	65	75	5	200	27	962	343	STR67005	357	AZ0411
	455	430	350	Tr 350x6	65	75	5	200	27	962	400	STR67010	407	AZ0411
	570	430	350	Tr 350x6	65	75	5	200	27	962	473	STR67015	472	AZ0411
	670	430	350	Tr 350x6	65	75	5	200	27	962	530	STR67020	522	AZ0411
	785	430	350	Tr 350x6	65	75	5	200	27	962	604	STR67025	587	AZ0411
	885	430	350	Tr 350x6	65	75	5	200	27	962	660	STR67030	637	AZ0411
	375	490	400	Tr 400x6	70	85	5	250	35	1.256	474	STR88005	395	AZ0413
	475	490	400	Tr 400x6	70	85	5	250	35	1.256	548	STR88010	445	AZ0413
	590	490	400	Tr 400x6	70	85	5	250	35	1.256	643	STR88015	510	AZ0413
	690	490	400	Tr 400x6	70	85	5	250	35	1.256	717	STR88020	560	AZ0413
	805	490	400	Tr 400x6	70	85	5	250	35	1.256	813	STR88025	625	AZ0413
	905	490	400	Tr 400x6	70	85	5	250	35	1.256	886	STR88030	675	AZ0413
	390	550	450	Tr 450x6	80	95	5	325	55	1.590	681	STR110005	460	AZ0415
	520	550	450	Tr 450x6	80	95	5	325	55	1.590	773	STR110010	540	AZ0415
	635	550	450	Tr 450x6	80	95	5	325	55	1.590	894	STR110015	605	AZ0415
	735	550	450	Tr 450x6	80	95	5	325	55	1.590	987	STR110020	655	AZ0415
	850	550	450	Tr 450x6	80	95	5	325	55	1.590	1.107	STR110025	720	AZ0415
	950	550	450	Tr 450x6	80	95	5	325	55	1.590	1.200	STR110030	770	AZ0415