

Pressure gauge with diaphragm Industry version with or without filling

Nominal size ND 100 , 160
Accuracy class 1,6 and 2,5

according to DIN EN 837-3

Features

High resistance to overpressure
Robust stainless steel case
Highly suitable for extremely viscous or
crystallizing media

Applications

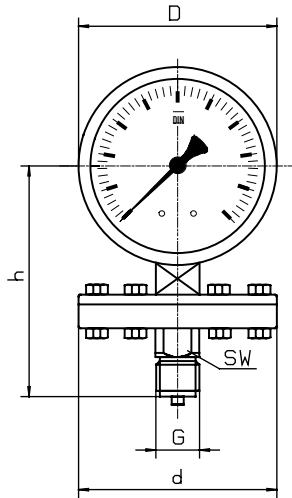
Food and beverage industries,
Mechanical engineering, plant and
apparatus construction ,



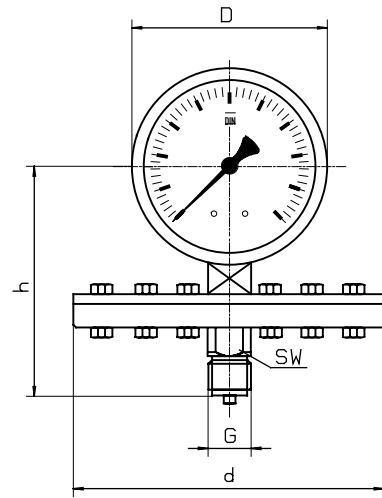
Version	with glycerine filling			
Model and ND	MP-20 100	MP-20 160	MP-20 100 F	MP-20 160 F
Connection	bottom			
Accuracy class	1,6, ranges under 600 mbar with filling only Kl. 2,5			
Ranges	in mbar		0...40, 60, 100, 160, 250	
	in bar		0...0,4, 0,6, 1, 1,6, 2,5, 4, 6, 10, 16, 25	
	in bar		-0,6 / 0, -1 / 0, -1 / +0,6, -1 / +1,5, -1 / +3, -1 / +5, -1 / +9, -1 / +15	
Application	Constant load full scale value Alternating load 0,9 x full scale value Overload protection 1,3 x full scale value short time			
Case	CrNi steel	Steel black	CrNi steel	
Bezel	CrNi steel	Steel black	CrNi steel	
Window	Glas lens			Lamineted safety glass
Dial	Aluminium white, scale black			
Pointer	Aluminium, black			
Movement	Copper alloy ,bearing parts nickel silver			
Flangediameter	160 mm up to 250 mbar, 100 mm from 0,4 bar			
Measuring element	CrNi steel, from 2,5 bar Duratherm 600			
Lower flange	SW 22, Steel zincing			
Connection	G 1/2 B and DIN-flange DN 15, 20, 25 and 50, for all PN 40			
Protection	IP 54 according to EN 60529 / IEC 529		IP 54 according to EN 60529 / IEC 529	
Temperatures	Medium: -20°C to 100°C, Ambient: -25°C to 60°C			

Dimensions

Flange 100 mm



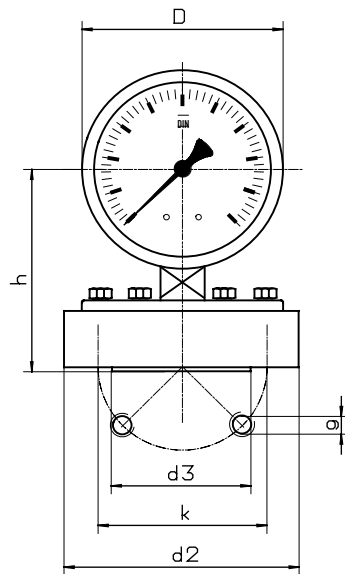
Flange 160 mm



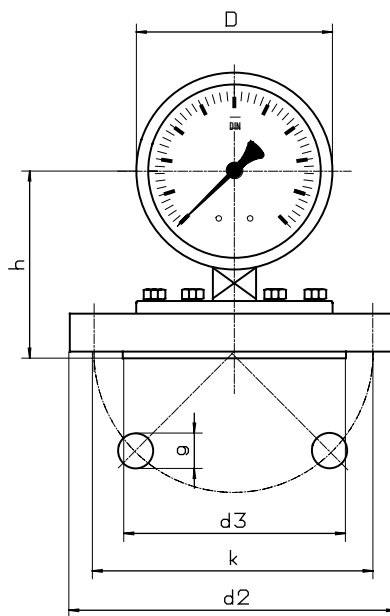
Flange according to DIN

Flange 100 mm

DN 25

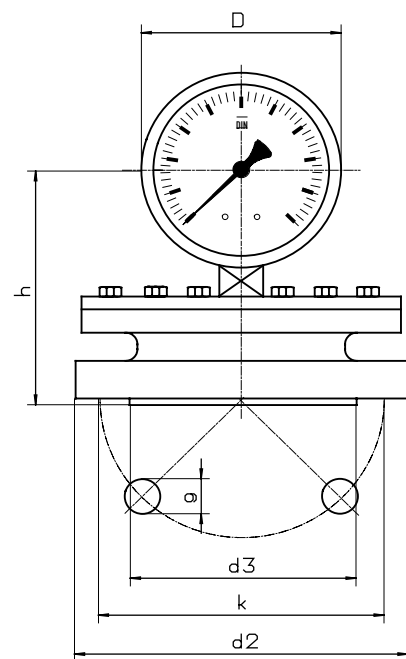


DN 50



Flange 160 mm

DN 50



Modelspecification

Model
MP-2

Connection
0

bottom = 0

Filling

F or -

with filling = F
without filling =

Nominal size

100 or 160

Case ND 100 = 100
Case ND 160 = 160

Range

f.e. 10 bar

after rangespecification
or direkt 10 bar

Options

for example
f.e. DIN-flange DN 50

Dimensionstable lock at data sheet M 590