



Art. no. 1313

Art. no. 1313

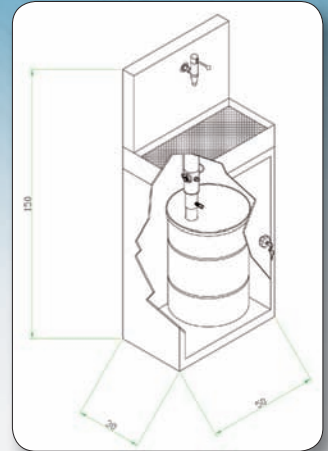
Windshield washer fluid dispensing unit, composed of:

- Self-supporting cabinet in painted steel, provided for the storage of 1 x 60 l – drum inside, with lockable door;
- Pneumatic 1:1 - piston pump with wetted parts in stainless steel AISI 304 (art. no. 1045) with plastic suction tube for 60 l – drums and bung adapter for the fixation of the pump on the drum;
- Pressure regulator for compressed air;
- Dispensing bar with 1 spring operated spigot in stainless steel with splash guard filter, max. pressure 8 bar, and drain valve for drip tray.

Optional:

Graduated, transparent measure, in polyethylene, stackable and unbreakable.

- Art. no. 3425: capacity 0,25 l, scale graduation 5 ml;
- Art. no. 3426: capacity 0,5 l, scale graduation 10 ml;
- Art. no. 3427: capacity 1 l, scale graduation 10 ml;
- Art. no. 3428: capacity 2 l, scale graduation 20 ml;
- Art. no. 3429: capacity 3 l, scale graduation 50 ml;
- Art. no. 3430: capacity 5 l, scale graduation 100 ml.



Art. no. 1312

Art. no. 1312

Windshield washer fluid dispensing kit, composed of:

- Pneumatic 1:1 - piston pump with wetted parts in stainless steel AISI 304 (art. no. 1071) with two-parts plastic suction tube, suction foot valve with strainer and bung adapter for the fixation of the pump on the drum;
- Pressure regulator for compressed air;
- Windshield washer fluid dispensing bar, wall-mounted, with 1 spring operated spigot in stainless steel with splash guard filter, max. pressure 8 bar, and drain valve for drip tray.

Optional:

Various models and sizes of measures in polyethylene are available as accessory.



Art. no. 6752

Art. no. 6752

Windshield washer fluid dispensing kit, composed of a pneumatic 1:1 - piston pump with wetted parts in stainless steel AISI 304 (art. no. 1071), two-parts plastic suction tube suitable for the use with 208 l – drums, suction foot valve with strainer, bung adapter for the fixation of the pump on the drum, pressure regulator with manometer and condensation water separator, 3 m – rubber supply hose 1/2" and electronic oval gears flow meter with plastic control gun, inlet swivel in stainless steel and plastic rigid outlet with automatic anti-drip nozzle in stainless steel.

Art. no.	Compressed air supply	Max outlet pressure	Delivery	Weight
6752	Pressure min 2 bar, max 8 bar	8 bar	35 l/min	16 Kg